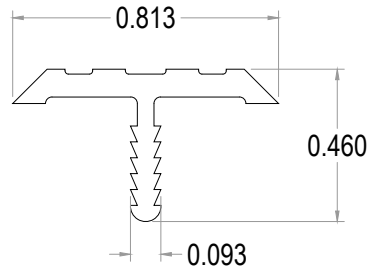
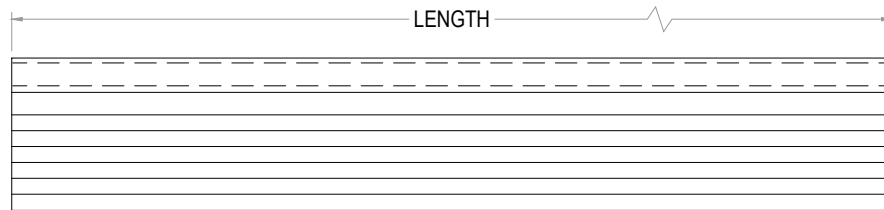


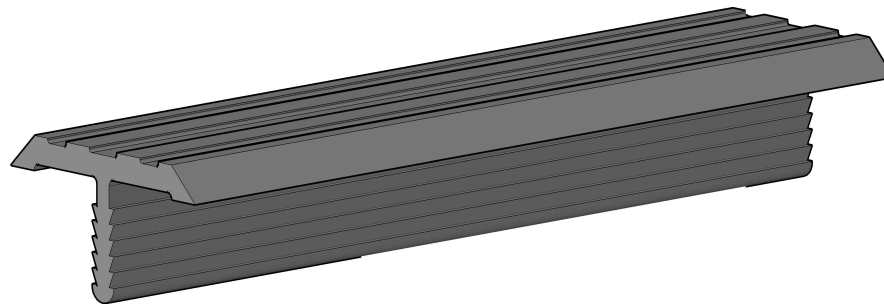
ALUMINUM EXTRUSIONS			
PART #	DESCRIPTION	LENGTH (FT)	FINISHES
TECT5482	13/16" T-EDGING	12	ANODIZED, BRITE CLEAR
CUSTOM FINISHES AVAILABLE FOR ALL EXTRUSIONS			




END VIEW



SIDE VIEW



ISOMETRIC VIEW

 <p>Decorative Wall Panels</p> <p><a href="https://DWPanels.com">https://DWPanels.com</a> © 2017 DWPANELS, LLC Information In This Drawing is Provided for Reference Only</p>	<p>PART NUMBER: TECT5482</p>
	<p>PART NAME: T EDGE CAP TRIM</p>