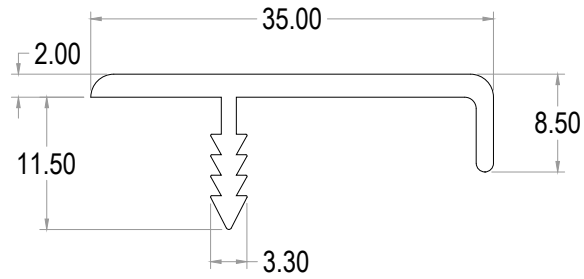
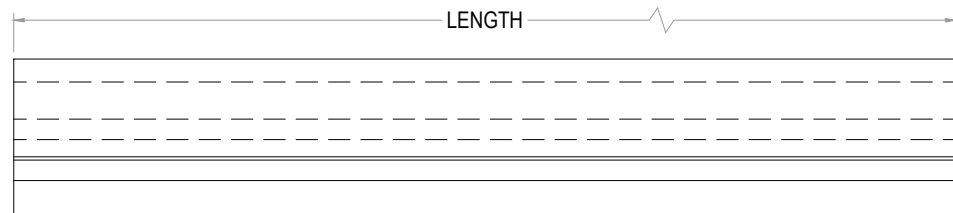


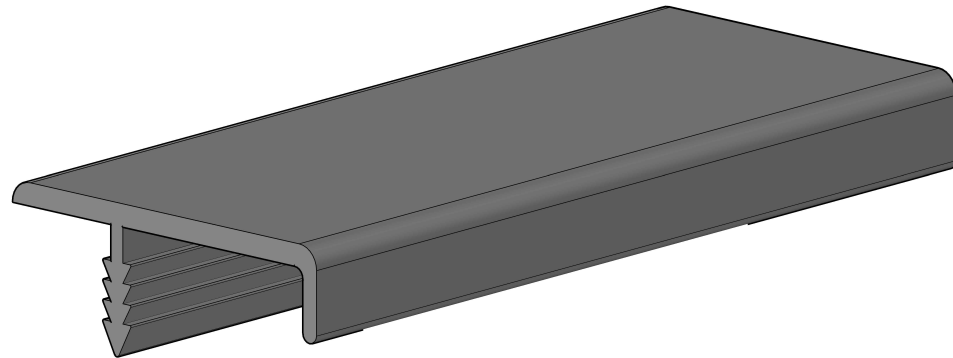
ALUMINUM EXTRUSIONS			
PART #	DESCRIPTION	LENGTH (FT)	FINISHES
TECT3191	T-EDGING	12	BRUSHED STAINLESS STEEL, BRITE CLEAR, ANODIZED
CUSTOM FINISHES AVAILABLE FOR ALL EXTRUSIONS			




END VIEW



SIDE VIEW



ISOMETRIC VIEW

 <p>Decorative Wall Panels</p> <p>https://DWPanels.com</p> <p>© 2017 DWPANELS, LLC</p> <p>Information In This Drawing is Provided for Reference Only</p>	<p>PART NUMBER:</p> <p>TECT3191</p>
	<p>PART NAME:</p> <p>T EDGE CAP TRIM</p>